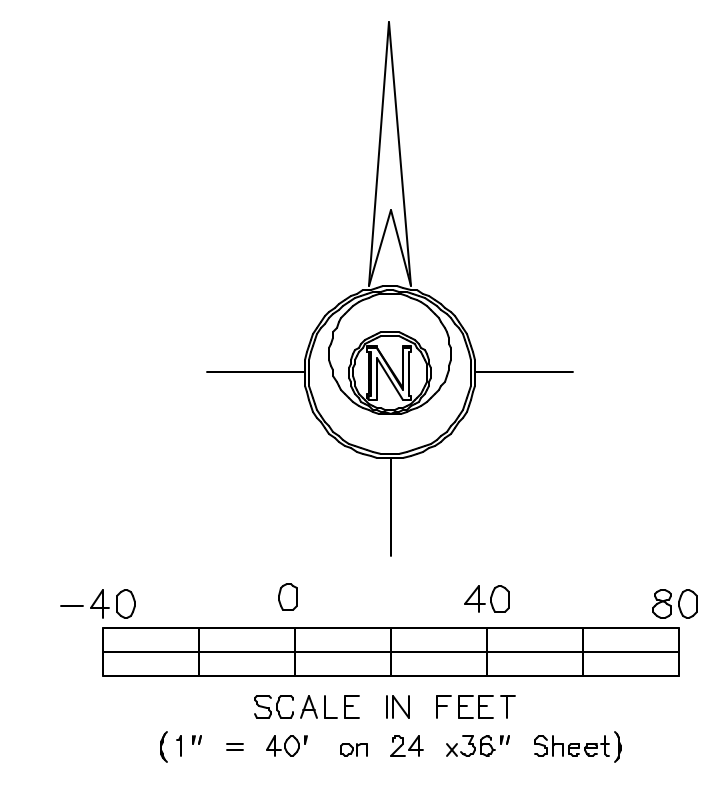


OUTLOT "X"
SEE SHEET 1 OF 2



Curve Table

#	Radius	Delta	Length	Chord	Tangent	Chord Bearing
1	100.00'	31°57'52"	55.79'	55.07'	28.64'	N 70°45'07" W
2	25.00'	88°24'58"	38.58'	34.86'	24.32'	S 44°20'44" E
3	25.00'	88°24'58"	38.58'	34.86'	24.32'	N 44°20'44" W
4	25.00'	91°35'04"	39.36'	35.84'	25.70'	N 45°39'16" E
5	25.00'	88°13'23"	38.49'	34.80'	24.24'	S 44°14'58" E
6	25.00'	91°46'37"	40.05'	35.90'	25.79'	N 45°45'02" E
7	160.00'	13°10'33"	36.79'	36.71'	18.48'	N 72°17'00" W
8	55.00'	55°34'32"	53.35'	51.28'	28.98'	S 76°57'07" E
9	55.00'	69°43'18"	66.93'	62.87'	38.31'	S 14°18'13" E
10	100.00'	37°56'32"	66.22'	65.02'	34.38'	N 25°29'04" W
11	100.00'	10°18'50"	18.00'	17.98'	9.03'	N 49°36'46" W
12	25.00'	35°14'47"	15.38'	15.14'	7.94'	N 11°06'35" E
13	25.00'	91°35'04"	39.96'	35.84'	25.70'	S 45°39'16" W
14	55.00'	40°38'06"	39.01'	38.19'	20.36'	N 54°56'34" E
15	55.00'	08°10'34"	7.85'	7.84'	3.93'	S 24°38'42" W
16	55.00'	06°40'59"	6.42'	6.41'	3.21'	N 51°58'42" W
17	55.00'	43°55'37"	42.17'	41.14'	22.18'	N 26°03'39" W
18	160.00'	04°16'44"	11.95'	11.95'	5.98'	N 63°33'21" W
19	100.00'	01°49'09"	3.18'	3.18'	1.59'	N 87°38'57" W
20	130.00'	33°47'01"	76.65'	75.55'	39.48'	N 71°39'41" W
21	130.00'	48°15'22"	108.48'	106.28'	58.23'	N 30°38'30" W
22	55.00'	35°14'47"	33.83'	33.30'	17.47'	N 11°06'35" E
23	55.00'	34°35'00"	33.20'	32.70'	17.12'	N 12°49'10" E
24	25.00'	85°03'39"	37.11'	33.80'	22.93'	N 11°56'03" W
25	25.00'	174°06'28"	75.97'	49.93'	485.76'	S 88°19'15" E
26	160.00'	04°01'58"	11.26'	11.26'	5.63'	N 80°53'14" W
27	160.00'	05°38'00"	15.78'	15.77'	7.90'	N 85°43'42" W

ABACI CONSULTING, INC
CIVIL ENGINEERING - LAND SURVEYING
200 S. MAIN ST, STE. A, GRIMES, IOWA 50111, PH. (515)986-5048

STANDARD SYMBOLS LEGEND:
 ● IRON ROD FOUND
 ○ 1/2" DIA. x 30" IRON PIN SET
 ▲ #14674 CAP (YELLOW PLASTIC)
 △ SECTION CORNER MONUMENT FOUND
 □ SECTION CORNER MONUMENT SET
 * FENCE LINE
 CLF CHAIN LINK FENCE
 W+ WATER MAIN
 G+ GAS MAIN
 UGE UNDERGROUND ELECTRIC
 OHE OVERHEAD ELECTRIC
 UGT UNDERGROUND TELEPHONE
 +/- MORE OR LESS
 B.S.B. Building Setback
 MPE Minimum Protection Elevation

NOTE: Corner Monuments will be set within one year of date of recording.

REVISIONS:

Final Plat
of
Autumn Ridge Plat 1
SCALE: 1" = 40' DRAWN BY: Joe Grife DATE OF SURVEY: Jan. 2003 DRAWING NO: X200392-2